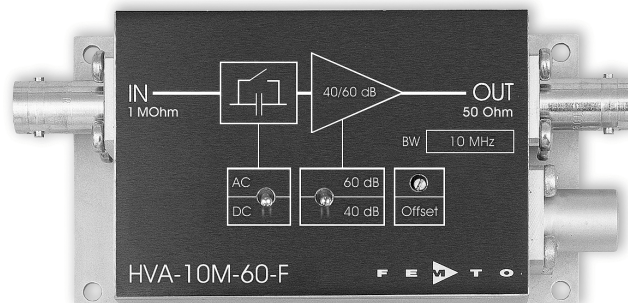


10 MHz High Input Impedance Voltage Amplifier

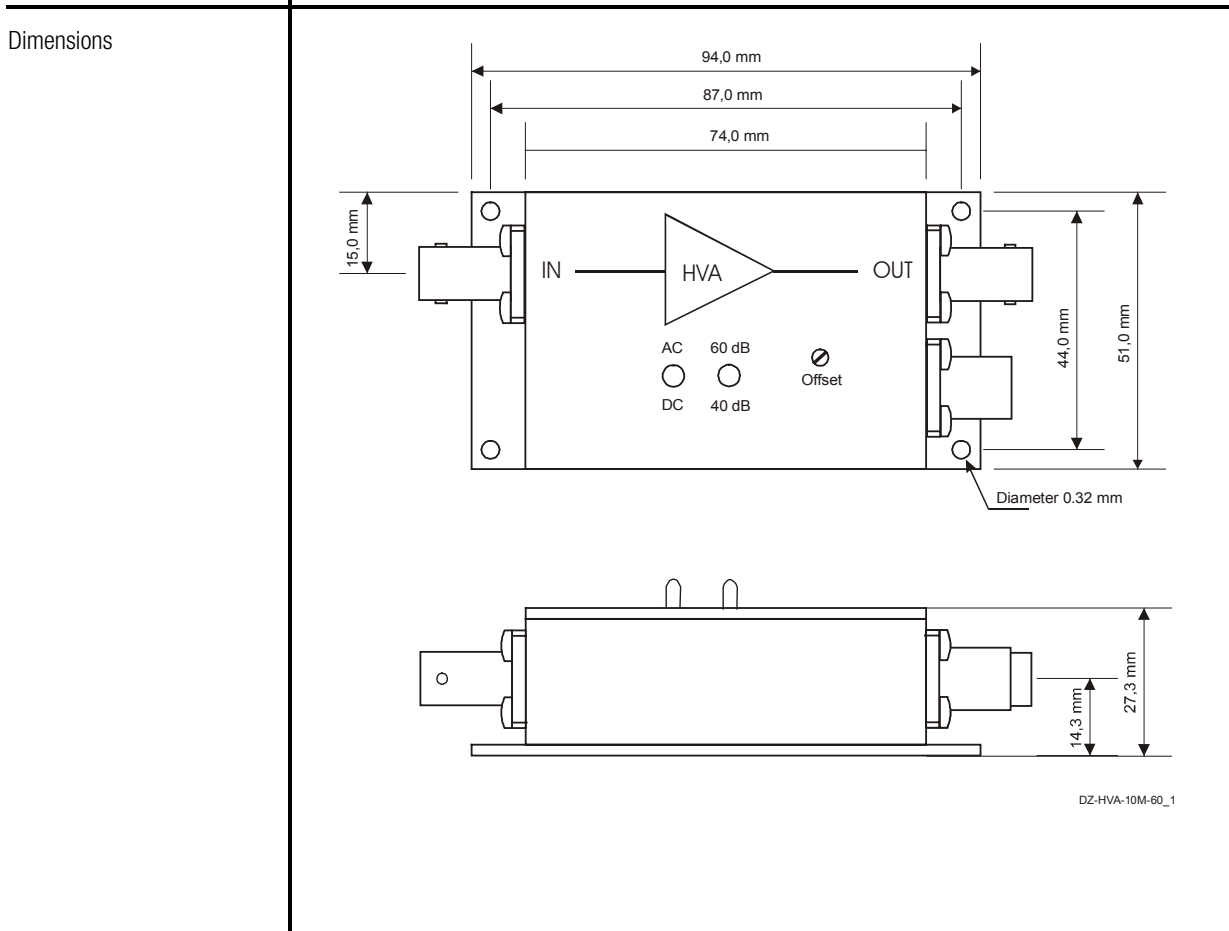
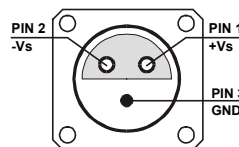


Features	<ul style="list-style-type: none"> • Gain 40/60 dB (x100/x1,000) switchable • Bandwidth DC ... 10 MHz • High Input Impedance 1 MΩ • Switchable AC/DC Coupling 	
Applications	<ul style="list-style-type: none"> • Oscilloscope and Transient-Recorder Preamplifier • Photomultiplier and Microchannel-Plate Amplifier • Signal Booster for Optical Receivers and Current Amplifiers • Time-Resolved Pulse and Transient Measurements 	
Specifications	<p>Test Conditions</p> <p>Gain</p> <p>Gain Accuracy</p> <p>Frequency Response</p> <p>Lower Cut-Off Frequency (-3 dB)</p> <p>Upper Cut-Off Frequency (-3 dB)</p> <p>Rise/Fall Time (10% - 90%)</p> <p>Input</p> <p>Input Impedance</p> <p>Input Voltage Noise</p> <p>Input Bias Current</p> <p>Input Offset Voltage</p> <p>Input Voltage Drift</p> <p>Output</p> <p>Output Impedance</p> <p>Output Voltage</p> <p>Max. Output Current</p> <p>Output Offset Trimmer Range</p> <p>Slew Rate</p> <p>Power Supply</p> <p>Supply Voltage</p> <p>Supply Current</p> <p>Case</p> <p>Weight</p> <p>Material</p> <p>Temperature Range</p> <p>Storage Temperature</p> <p>Operating Temperature</p>	<p>$V_s = \pm 15 \text{ V}$, $T_a = 25^\circ\text{C}$</p> <p>40/60 dB switchable</p> <p>$\pm 0.2 \text{ dB}$</p> <p>DC/1 Hz switchable</p> <p>10 MHz</p> <p>35 ns</p> <p>1 MΩ 15 pF</p> <p>4.7 nV/√Hz (@ 2 MHz, 60 dB)</p> <p>2 pA</p> <p>250 μV max.</p> <p>2 μV/°C</p> <p>50 Ω</p> <p>7 Vpp (@ 50 Ω load, for linear Amplification)</p> <p>100 mA</p> <p>$\pm 1 \text{ V}$</p> <p>1,000 V/μs (@ 60 dB, 50 Ω load)</p> <p>$\pm 15 \text{ V}$</p> <p>$\pm 70 \text{ mA}$ typ. (no-signal) recommended Power Supply Capability minimum 150 mA</p> <p>200 g (0.5 lbs)</p> <p>AlMg4.5Mn, nickel-plated</p> <p>- 40 ... + 100 °C</p> <p>0 ... + 60 °C</p>

10 MHz High Input Impedance Voltage Amplifier

Absolute Maximum Ratings	Power Supply Voltage	± 20 V
	Input Voltage	± 5 V
	Transient Input Voltage	200 V (@ 200 pF Source)

Connectors	Input	BNC
	Output	BNC
	Power Supply	LEMO Series 1S, 3-pin fixed Socket Pin 1: + 15V Pin 2: - 15V Pin 3: GND



FEMTO Messtechnik GmbH
 Paul-Lincke-Ufer 34
 D-10999 Berlin · Germany
 Tel.: +49 (0)30 – 4 46 93 86
 Fax: +49 (0)30 – 4 46 93 88
 e-mail: info@femto.de
 http://www.femto.de

Specifications are subject to change without notice. Information furnished herein is believed to be accurate and reliable. However, no responsibility is assumed by FEMTO Messtechnik GmbH for its use, nor for any infringement of patents or other rights granted by implication or otherwise under any patent rights of FEMTO Messtechnik GmbH. Product names mentioned may also be trademarks used here for identification purposes only.
 © by FEMTO Messtechnik GmbH
 Printed in Germany