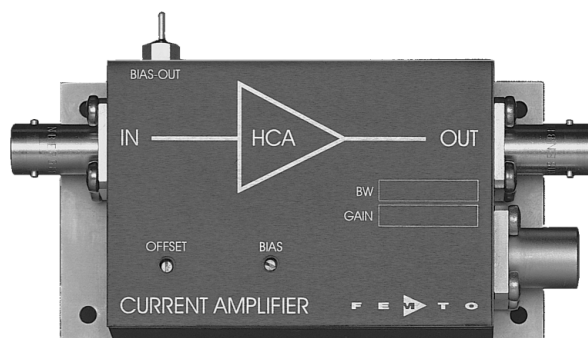


# High Speed Current Amplifier



<p>Features</p>	<ul style="list-style-type: none"> <li>• <b>Bandwidth and Frequency Response Independent of Detector Capacitance (up to 50 pF)</b></li> <li>• <b>Low Noise 270 fA/√Hz Equivalent Input Noise Current</b></li> <li>• <b>Bandwidth DC ... 1 MHz</b></li> <li>• <b>Transimpedance (Gain) 1 x 10<sup>6</sup> V/A</b></li> <li>• <b>Protection against ± 3.5 kV Transients</b></li> </ul>																																													
<p>Applications</p>	<ul style="list-style-type: none"> <li>• <b>Photodiode and Photomultiplier Amplifier</b></li> <li>• <b>Spectroscopy</b></li> <li>• <b>Charge Amplifier</b></li> <li>• <b>Ionisation Detectors</b></li> <li>• <b>Pre-amplifier for Lock-Ins, A/D Converters, etc.</b></li> </ul>																																													
<p>Specifications</p>	<table border="0"> <tr> <td>Test Conditions</td> <td colspan="2">Vs = ± 15 V, Ta = 25°C</td> </tr> <tr> <td rowspan="2">Gain</td> <td>Transimpedance</td> <td>1 x 10<sup>6</sup> V/A (@ 50 Ω load)</td> </tr> <tr> <td>Gain Accuracy</td> <td>± 1 %</td> </tr> <tr> <td rowspan="4">Frequency Response</td> <td>Lower Cut-Off Frequency</td> <td>DC</td> </tr> <tr> <td>Upper Cut-Off Frequency (- 3 dB)</td> <td>1 MHz</td> </tr> <tr> <td>Rise / Fall Time (10 % - 90 %)</td> <td>350 ns</td> </tr> <tr> <td>Gain Flatness</td> <td>± 0.3 dB</td> </tr> <tr> <td rowspan="8">Input</td> <td>Equ. Input Noise Current</td> <td>270 fA/√Hz (@ 10 kHz)</td> </tr> <tr> <td>Equ. Input Noise Voltage</td> <td>6 nV/√Hz (@ 10 kHz)</td> </tr> <tr> <td>Input Bias Current</td> <td>5 pA typ.</td> </tr> <tr> <td>Input Bias Current Drift</td> <td>factor 1.7 / 10 K</td> </tr> <tr> <td>Offset Current Compensation</td> <td>± 2.7 μA adjustable by offset trimpot</td> </tr> <tr> <td>Input Current Range</td> <td>± 1.5 μA (for linear amplification)</td> </tr> <tr> <td>Input Offset Voltage</td> <td>2 mV</td> </tr> <tr> <td>DC Input Impedance</td> <td>50 Ω (virtual) // 5 pF</td> </tr> <tr> <td rowspan="2">Output</td> <td>Output Voltage Range</td> <td>± 1.5 V (@ 50 Ω load) for linear operation and low harmonic distortion</td> </tr> <tr> <td>Output Impedance</td> <td>50 Ω (terminate with 50 Ω load for best performance)</td> </tr> <tr> <td rowspan="2">Bias Output</td> <td>Bias Output Voltage Range</td> <td>± 12 V, adjustable by bias trimpot</td> </tr> <tr> <td>Bias Output Impedance</td> <td>10 kΩ // 1 μF</td> </tr> </table>		Test Conditions	Vs = ± 15 V, Ta = 25°C		Gain	Transimpedance	1 x 10 <sup>6</sup> V/A (@ 50 Ω load)	Gain Accuracy	± 1 %	Frequency Response	Lower Cut-Off Frequency	DC	Upper Cut-Off Frequency (- 3 dB)	1 MHz	Rise / Fall Time (10 % - 90 %)	350 ns	Gain Flatness	± 0.3 dB	Input	Equ. Input Noise Current	270 fA/√Hz (@ 10 kHz)	Equ. Input Noise Voltage	6 nV/√Hz (@ 10 kHz)	Input Bias Current	5 pA typ.	Input Bias Current Drift	factor 1.7 / 10 K	Offset Current Compensation	± 2.7 μA adjustable by offset trimpot	Input Current Range	± 1.5 μA (for linear amplification)	Input Offset Voltage	2 mV	DC Input Impedance	50 Ω (virtual) // 5 pF	Output	Output Voltage Range	± 1.5 V (@ 50 Ω load) for linear operation and low harmonic distortion	Output Impedance	50 Ω (terminate with 50 Ω load for best performance)	Bias Output	Bias Output Voltage Range	± 12 V, adjustable by bias trimpot	Bias Output Impedance	10 kΩ // 1 μF
Test Conditions	Vs = ± 15 V, Ta = 25°C																																													
Gain	Transimpedance	1 x 10 <sup>6</sup> V/A (@ 50 Ω load)																																												
	Gain Accuracy	± 1 %																																												
Frequency Response	Lower Cut-Off Frequency	DC																																												
	Upper Cut-Off Frequency (- 3 dB)	1 MHz																																												
	Rise / Fall Time (10 % - 90 %)	350 ns																																												
	Gain Flatness	± 0.3 dB																																												
Input	Equ. Input Noise Current	270 fA/√Hz (@ 10 kHz)																																												
	Equ. Input Noise Voltage	6 nV/√Hz (@ 10 kHz)																																												
	Input Bias Current	5 pA typ.																																												
	Input Bias Current Drift	factor 1.7 / 10 K																																												
	Offset Current Compensation	± 2.7 μA adjustable by offset trimpot																																												
	Input Current Range	± 1.5 μA (for linear amplification)																																												
	Input Offset Voltage	2 mV																																												
	DC Input Impedance	50 Ω (virtual) // 5 pF																																												
Output	Output Voltage Range	± 1.5 V (@ 50 Ω load) for linear operation and low harmonic distortion																																												
	Output Impedance	50 Ω (terminate with 50 Ω load for best performance)																																												
Bias Output	Bias Output Voltage Range	± 12 V, adjustable by bias trimpot																																												
	Bias Output Impedance	10 kΩ // 1 μF																																												

## High Speed Current Amplifier

Specifications (continued)

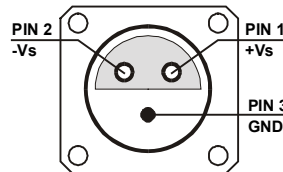
Power Supply	Supply Voltage	$\pm 15$ V
	Supply Current	$\pm 50$ mA typ. (depends on operating conditions, recommended power supply capability minimum $\pm 150$ mA)
Case	Weight	210 g (0.5 lbs)
	Material	AlMg4.5Mn, nickel-plated
Temperature Range	Storage Temperature	-40 ... +100 °C
	Operating Temperature	0 ... +60 °C

Absolute Maximum Ratings

Input Voltage	$\pm 5$ V
Input Voltage Transient	$\pm 3.5$ kV (pulsewidth 10 ns)
Power Supply Voltage	$\pm 22$ V

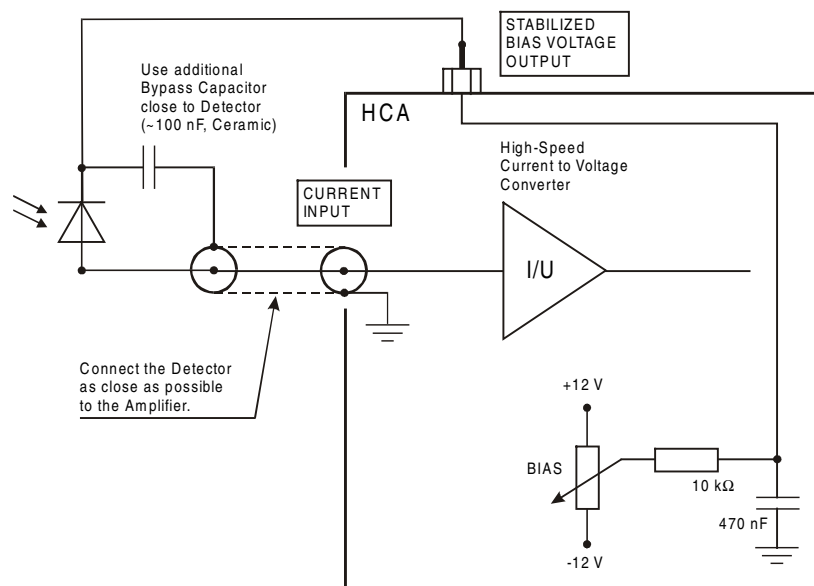
Connectors

Input	BNC
Output	BNC
Power Supply	LEMO series 1S, 3-pin fixed socket
	Pin 1: + 15V
	Pin 2: - 15V
	Pin 3: GND



Application Diagrams

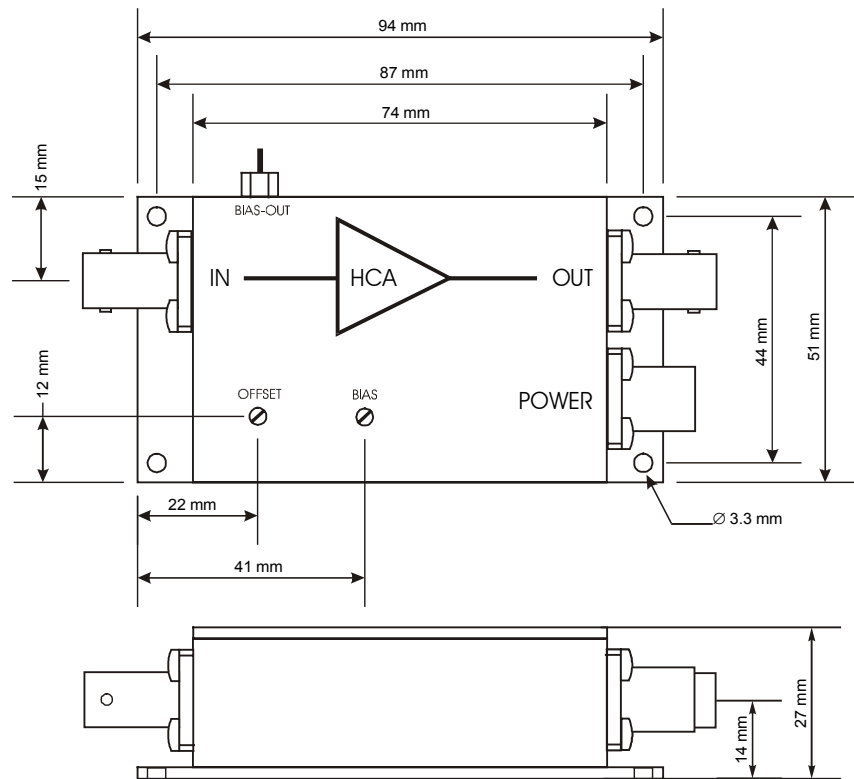
Photo Detector Biasing in Photoconductive Mode:  
Best choice for high speed applications and optimum signal to noise performance.



AZ01-0201-20

High Speed Current Amplifier

Dimensions



DZ01-0201-22

FEMTO Messtechnik GmbH  
 Paul-Lincke-Ufer 34  
 D-10999 Berlin · Germany  
 Tel.: +49 (0)30 – 4 46 93 86  
 Fax: +49 (0)30 – 4 46 93 88  
 e-mail: info@femto.de  
 http://www.femto.de

Specifications are subject to change without notice. Information furnished herein is believed to be accurate and reliable. However, no responsibility is assumed by FEMTO Messtechnik GmbH for its use, nor for any infringement of patents or other rights granted by implication or otherwise under any patent rights of FEMTO Messtechnik GmbH. Product names mentioned may also be trademarks used here for identification purposes only.

© by FEMTO Messtechnik GmbH  
 Printed in Germany