

Uniblitz® VS35

35mm Uni-Stable Optical Shutter



Overview

The Uniblitz VS35 has been designed to provide accurate, repeatable exposures for a wide variety of applications. The VS series shutters have been successfully field tested in microscopy, video imaging, PMT protection, and photographic applications worldwide. The VS35 is available in a housed or un-housed configuration for OEM applications (or simply where spatial limitations are a consideration).

Uni-stable shutter devices, like the VS35, require power to hold the blades in the open state.

Need Support? Please [visit our website](#) or email us at info@uniblitz.com.

Tel: 585-385-5930 | Toll-Free: 800-828-6972 | Fax: 585-385-6004 | 803 Linden Ave. Rochester, NY 14625

Updated 5/16 | Datasheet Version 5.0 | ©2016 Vincent Associates

Key Features

- 35mm aperture
- Uni-stable operation
- Slim, small form-factor
- **RoHS Compliant**
- Transfer time on opening:
13.0 milliseconds
- Total opening time:
18.0 milliseconds
- Configured for the **VCM-D1**
Shutter Driver

Product Options

VS35 2 3 4 5 6 - 7 - 8

Ex: VS35S2ZM0-EC-21

1 Shutter Series:

- VS35

2 Driver Compatibility:

- **S:** Use with VCM-D1 (Std.)
- **E:** Use with D880C or VED24

3 Housing:

- **1:** Un-Housed
- **2:** #2 Housing

4 Blade Coating: ¹

- **T:** Low Energy (Teflon[®])
- **ZM:** High Energy (AlMgF₂) ²

5 Electronic Sync:

- **0:** Omitted
- **1:** Included

6 Connector:

- **L:** 18" flying leads (*Un-housed only*)
- Leave blank for 7-pin Wire Pro connector

7 Encapsulated Coil:

- **EC:** Included
- Leave blank if not required

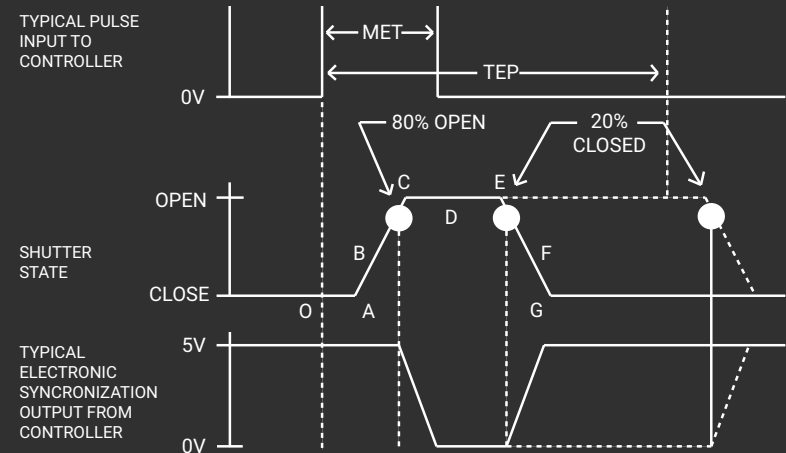
8 Mount: (*#2 housing only*)

- **21:** Zeiss Axiovert
- **24:** Olympus BX/IX
- **27:** Nikon
- **105:** C-Mount (Male)
- **106:** C-Mount (Female)
- Leave blank if not required

¹ Other blade coating options may be available by special order.

² Input side only; Teflon[®] coating is on opposite side to protect shutter blade surface. Light source must be input to the reflective side only.

Shutter Timing



VS35 (w/ Uniblitz driver and Teflon[®] coated blades) Time (msec.)

| Transition | Description | Time (msec.) |
|------------|---|--------------|
| O - A | Delay time on opening after current applied | 5.0 |
| A - C | Transfer time on opening | 13.0 |
| O - C | Total opening time | 18.0 |
| C - E | Min. dwell time with min. input pulse | 5.0 |
| B - F | Min. equivalent exp. time | 20.0 |
| E - G | Transfer time on closing | 12.0 |
| A - G | Total window time | 30.0 |
| MET | Min. exposure time | 20.0 |
| TEP | Typical exposure pulse | >23.0 |

Technical Specifications

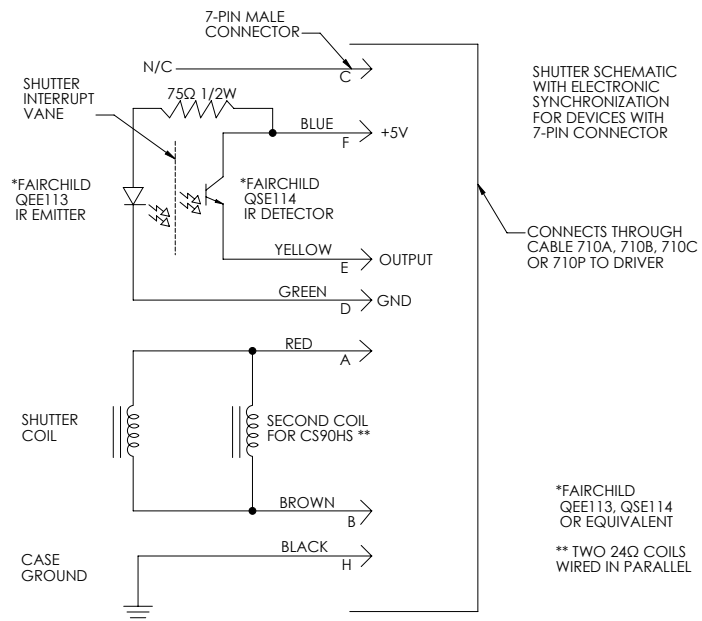
| Coil Resistance | Voltage to Open | Hold Voltage (Nominal) ¹ |
|-----------------|-----------------|-------------------------------------|
| 12 Ω | +70 VDC | +7 VDC / +5 VDC ² |

¹ Voltage level required across actuator coil when held in the open position.

² Dual hold voltage system included in the **VCM-D1 Driver**

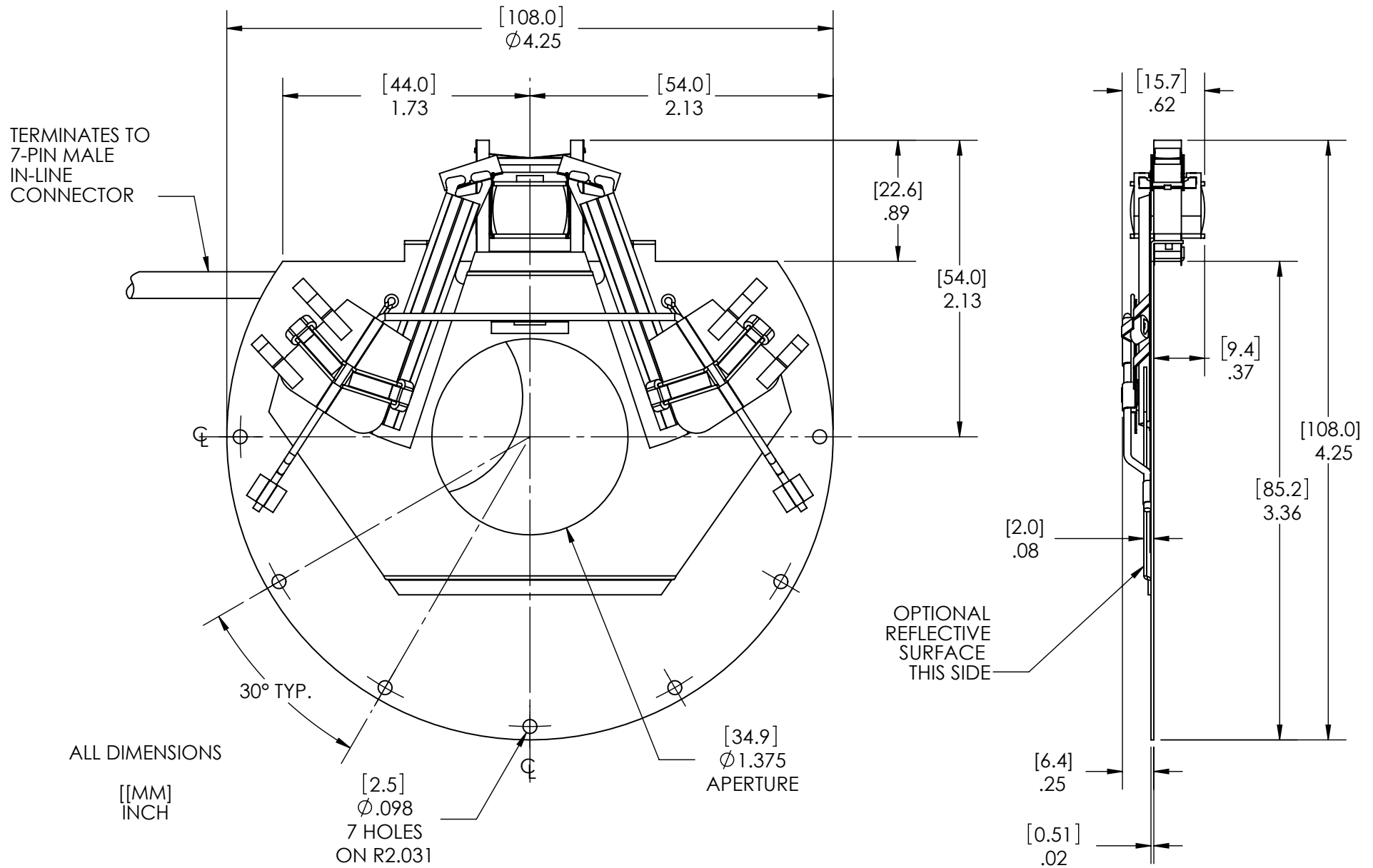
³ (Continuous/Burst) Continuous frequency rating specified at shutter's minimum exposure pulse. Burst frequency rating specified for four (4) seconds maximum with one (1) minute minimum between bursts.

| Series | Weight (Unhoused) | Weight (Housed) | Operating Temp. | Max. Opening Bounce | Max. Closing Bounce | Max. Freq. of Operation ³ | Number of Shutter Blades |
|--------|-------------------|--------------------|-----------------|---------------------|---------------------|--------------------------------------|--------------------------|
| VS35 | 2.33 oz (0.07 kg) | 14.35 oz (0.41 kg) | 0 - 80 °C | 15% | 5% | 5 Hz / 20 Hz | 2 |

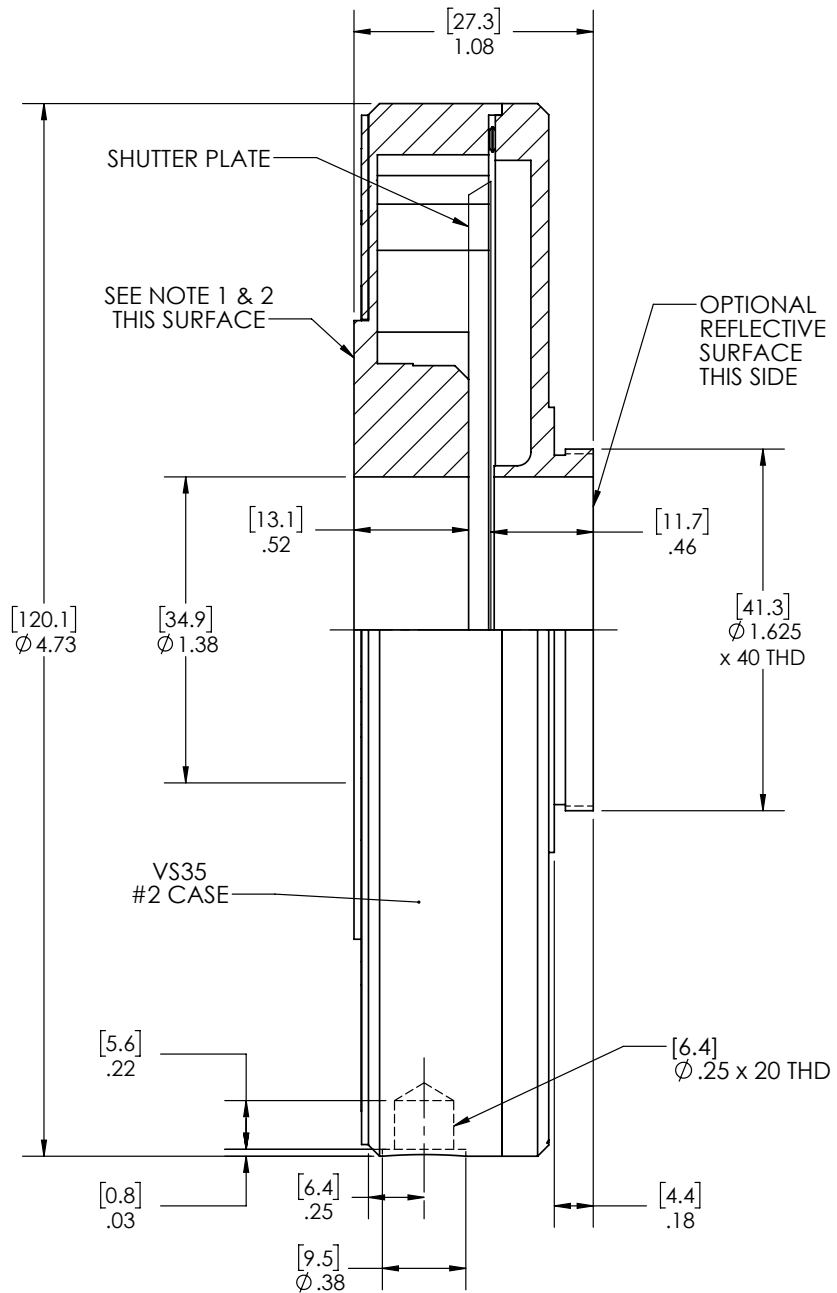


The electronic synchronization system provides a feedback signal (through the driver utilized) after the shutter transfers to the open state. The system incorporates an infrared emitting diode, an infrared sensitive detecting transistor, and an interrupting vane. The vane is attached to the shutter so as to block the light path between the emitter and detector in the closed position. When the shutter transfers to the 80% open position, the vane is removed from the infrared light path, allowing the emitter to switch the detector to the active state. For the VS35, this system uses a similar activation flag attached to the mechanism, which triggers a reflective emitter/detector device. **No connection to the designated synchronization pins when no electronic sync. is selected.**

Technical Drawings - Un-housed VS35



Technical Drawings - Housed VS35



NOTES:

1. (3) #2-56 MOUNTING HOLES ON A $\varnothing 1.578$ BOLT CIRCLE, 120° APART
2. (3) #4-40 MOUNTING HOLES ON A $\varnothing 2.425$ BOLT CIRCLE 120° APART (UNDER NAME PLATE)
3. ALL DIMENSIONS [MM] INCH

Technical Drawings - VS35 Connector Layout

