

XRS14 14mm Uni-Stable Shutter Specifications

Features

- The **UNIBLITZ**® XRS14 series is especially designed for x-ray applications.
- Can open within 20.0msec at a maximum rate of 10Hz
- 14mm diameter aperture.
- Pt-Ir shutter blade, capable of blocking x-ray energy 30Kev.
- Exposure repetition rate continuously variable from DC to 10Hz.
- Electronic synchronization system available.
- Activated by an electronic pulse through UNIBLITZ® patented shutter drive systems.
- Non-resonant design allows instantaneous changes repetition rate and duty cycle.
- No optical surface when open provides 100% transmittance.
- Available in a normally-open configuration.



Timing

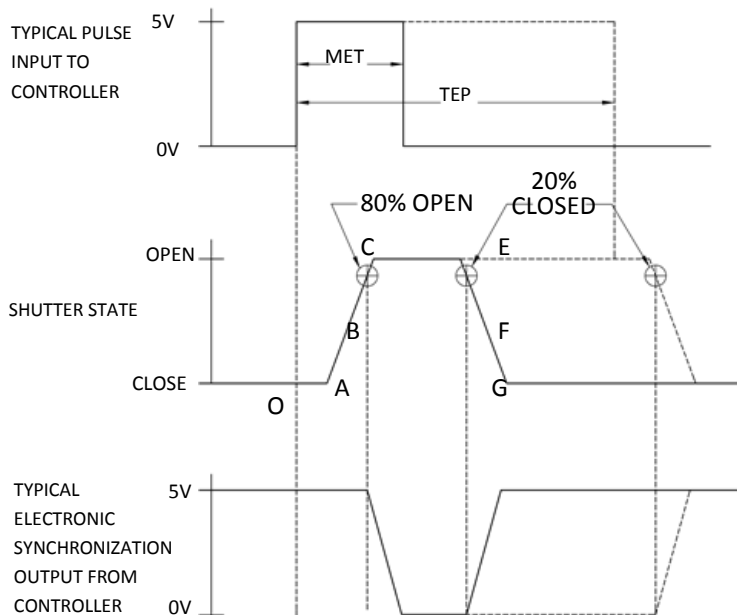


Fig. 2

¹Typical timing values (msec.) using UNIBLITZ® drive equipment and measured with UNIBLITZ® shutters equipped with standard black Teflon® coated shutter blades.

XRS14		Time (msec.) ¹
O-A:	Delay time on opening after current is applied	5.0
A-C:	Transfer time on opening	20.0
O-C:	Total opening time	25.0
C-E:	Min. dwell time with min. input pulse	20.0
B-F:	Min. equivalent exp. time	5.0
E-G:	Transfer time on closing	10.0
A-G:	Total window time	35.0
MET:	Min. exposure time	25.0
TEP:	Typical exposure pulse	>25.0

Electrical

COIL RESISTANCE	PULSE VOLTAGE TO OPEN	HOLD VOLTAGE ¹ (NOMINAL)
12 OHMS	+65 VDC	+5 VDC

¹ Voltage level required across actuator coil when being held in the open position.

The Electronic Synchronization System provides a feedback signal (through the driver utilized) after the shutter transfers to the open state. The system incorporates an infrared emitting diode, an infrared sensitive detecting transistor, and an interrupting vane. The vane is attached to the shutter so as to block the light path between the emitter and detector in the closed position. When the shutter transfers to the 80% open position, the vane is removed from the infrared light path, allowing the emitter to switch the detector to the active state. **No connection to the designated synchronization pins when no electronic sync. is selected.**

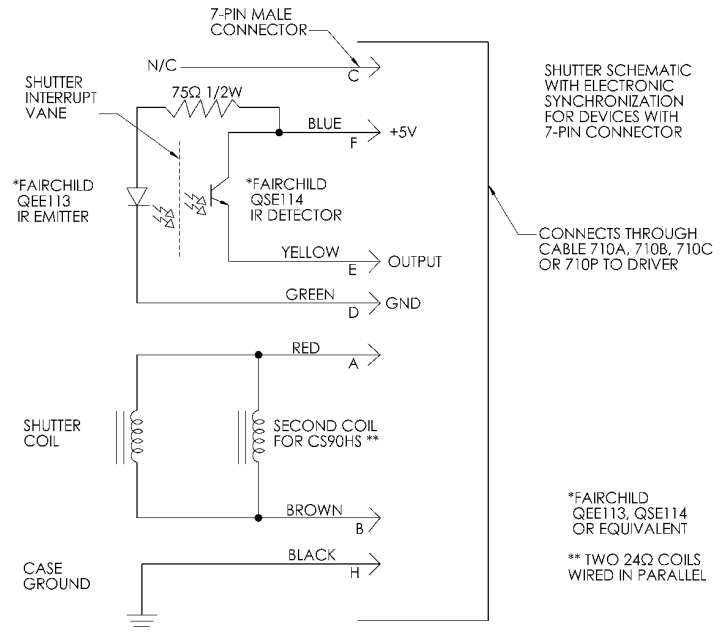


Fig. 3

Mechanical

SERIES	WEIGHT UNCASSED	WEIGHT CASSED	OPERATING TEMP. (DEGREES)	MAX. OPENING BOUNCE	MAX. CLOSING BOUNCE	MAX. FREQUENCY OF OPERATION ²	NUMBER OF SHUTTER BLADES
XRS14	2.18 oz. (.06 kg)	10.35 oz. (.29 kg)	0-80°C	15%	5%	2 Hz / 10 Hz	1

² (CONT/BURST) CONTinuous frequency rating specified at shutter's minimum exposure pulse. BURST frequency rating specified for (4) four seconds maximum with (1) one minute minimum between bursts. Frequency measurements are taken in free air, 25°C ambient, actuator coil equipped with heat sink. For additional information on maximum sustained frequencies obtainable, please contact one of our technical representatives.

Housing Options

Un-housed Style

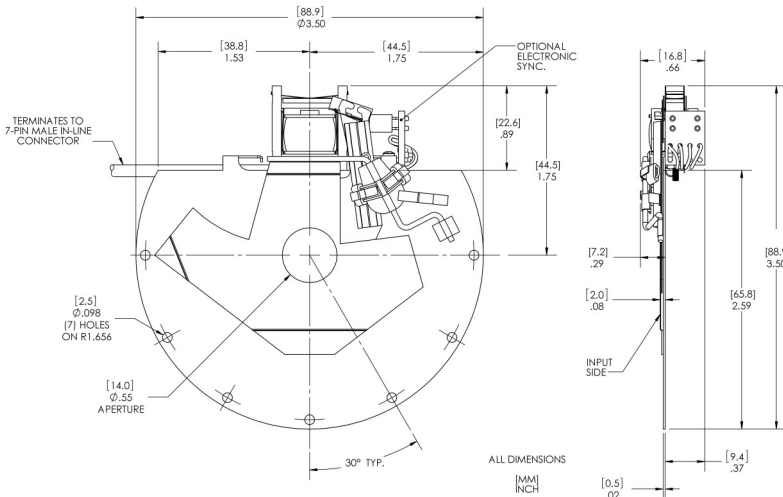


Fig. 4

Housed Style

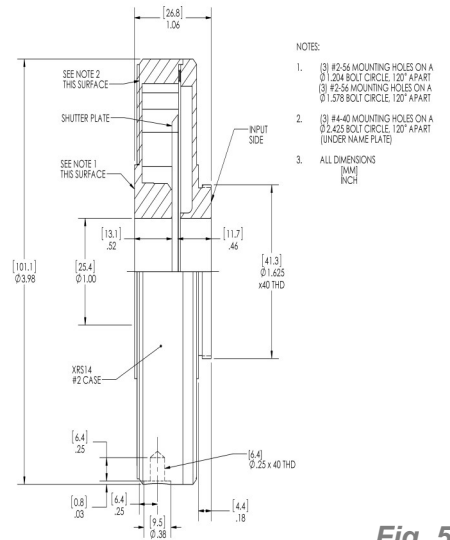


Fig. 5

Drawings of the device in its normally open configuration are available under the 'Downloads' tab on our website.

Housing/Connector Layout

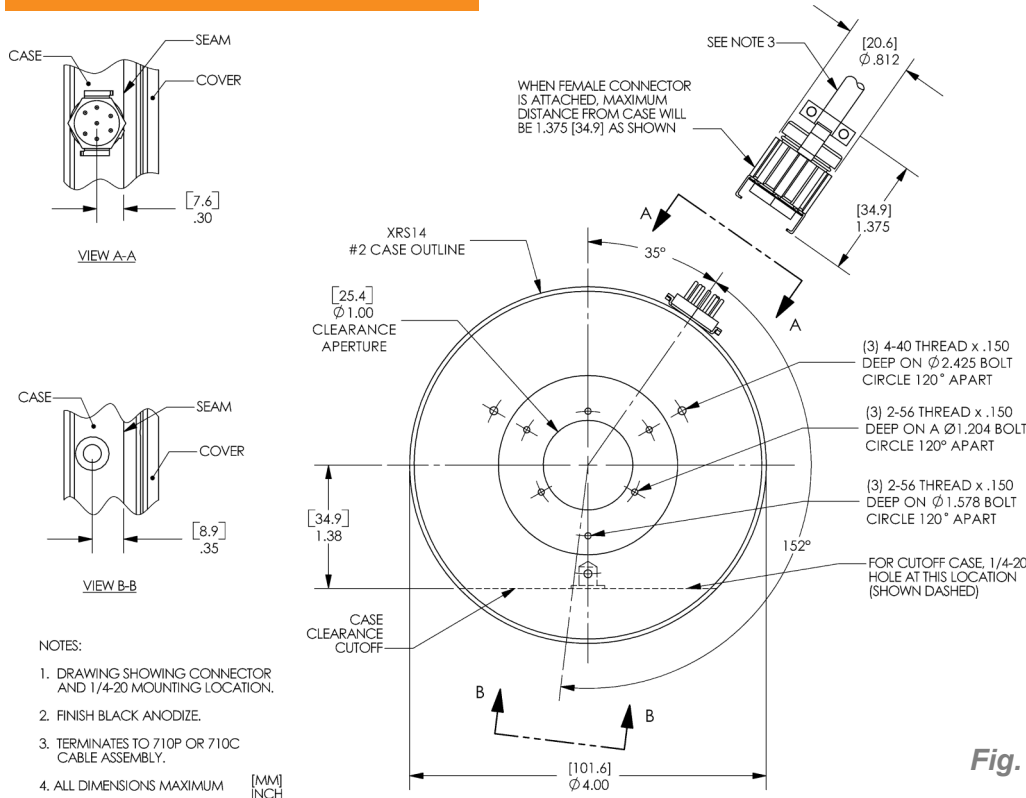


Fig. 7 illustrates the 7-pin connector and 1/4-20 threaded hole layout for the XRS14 series #2 housed style.

Fig. 6

Product Options

Part Number: **XRS14S**      -  -  -  - 

Example Part Number:
XRS14S2P1-HS-EC-NL-100

<p>1 <u>Aperture Size\Type:</u> XRS14S: 14mm (Normally Closed) XRS14E: 14mm (For use with D880C Driver) XRSR14S: 14mm (Normally open)⁴ XRSR14E: 14mm (Normally open, for use with D880C Driver)⁴</p>	<p>2 <u>Housing:</u> 1: Un-housed 2: #2 Housing</p>	<p>3 <u>Blade Finish:</u> P: .010" Thick PtIr (10% Iridium, 90% Platinum)</p>
<p>4 <u>Electronic Sync:</u> 0: Omit Sync. 1: Electronic Sync. Included</p>	<p>5 <u>18" Flying Leads:</u> L: 18 Inch Flying Leads Included² ▪ For un-housed devices only ▪ Leave blank if not required</p>	<p>6 <u>Heat Sink:</u> HS: Actuator coil heat sink² ▪ Leave blank if not required ▪ Optional for an un-housed device ▪ Included with #2 Housing—no designation required</p>
<p>7 <u>Encapsulated Coil</u> EC: Encapsulated Coil Included² (For use with vacuum) ▪ Leave blank if not required</p>	<p>8 <u>RoHS Compliant Version:</u> NL: RoHS Compliant² ▪ Leave blank if not required</p>	
<p>9 <u>Mounting Options</u> (by type, #2 Housing Required):</p> <ul style="list-style-type: none"> ▪ Leave blank if not required ▪ 21: Zeiss Axiovert Type • 22: Nikon SBX Type • 23: Olympus BH/IMT Type ▪ 24: Olympus BX/IX Type • 26: Leica Type • 27: Nikon Type • 28: Olympus IX Transmitted Type ▪ 29: Nikon TE Type • 30: Leica DM/DMIR/DMIRB Type • 31: Nikon Confocal Type ▪ 32: Nikon 80i Type • 100: Mounting Ring • 105: C-Mount Adapter (Male) ▪ 106: C-Mount Adapter (Female) • 110: T-Mount Adapter 		

¹ Input side only, Teflon® coating is on opposite side. Intended to protect the shutter blade surface, light source must be input to the reflective side only.

² Please visit our website for more information regarding this option.

³ Available through special order only—contact us for more information.

⁴ If #2 Housing is selected, modification to housing is required.

For information regarding applicable intellectual property, please visit www.uniblitz.com/company-info/patents.

803 Linden Avenue • Rochester, NY 14625 • 585-385-5930 tel • 800-828-6972 toll-free • 585-385-6004 fax • www.uniblitz.com

Due to our ongoing product development program, Vincent Associates reserves the right to discontinue or change specifications or designs at any time, without incurring any obligations. Teflon is a registered trademark of E.I. DuPont. Drawings shown for illustrative purposes only. Updated 04/13. Specification sheet Ver. 4.1