

6 Multi-CF Double Spherical Octagon: MCF600-DbISphOct-F2C16

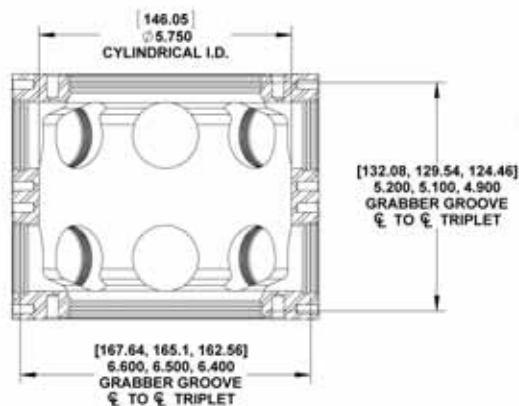
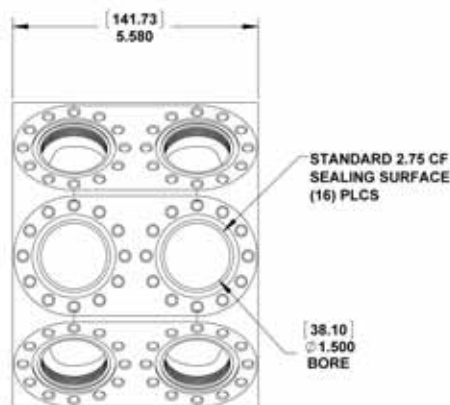
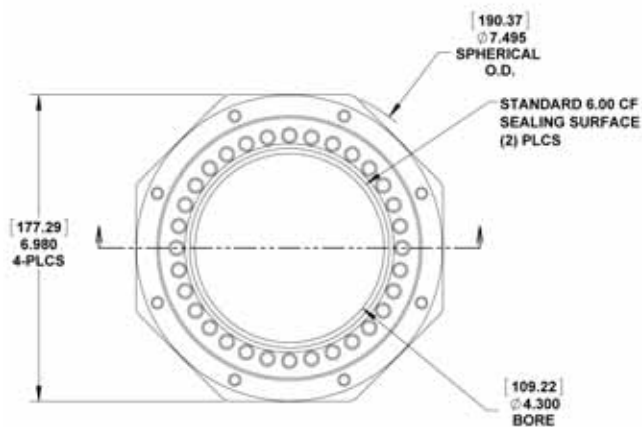
THE DOUBLE SPHERICAL OCTAGON
6 MULTI-CF SIZE

The 6 Multi-CF Double Spherical Octagon has two 6 CF sealing surfaces and sixteen $2\frac{3}{4}$ CF sealing surfaces. Each 6 CF and $2\frac{3}{4}$ CF has one triplet of Grabber Grooves.



MCF600-DbISphOct-F2C16

MCF600-DbISphOct-F2C16	
Multi-CF FITTING	Double Spherical Octagon
COMMON APPLICATION	UHV Vacuum Chamber
CONSTRUCTION / MATERIAL	Unitary Stainless Steel 316L
$2\frac{3}{4}$ CF SEALING SURFACES	Sixteen with (12) $\frac{1}{4}$ -28 tapped bolt holes, plus one triplet of grabber grooves per sealing surface.
6 CF SEALING SURFACES	Two with (32) $\frac{5}{16}$ -24 tapped bolt holes plus one triplet of Grabber Grooves per sealing surface.
INTERNAL WORK SPACE	5.75 inch Cylindrical I.D. Internal Volume 144 in ³



MCF600-DbISphOct-F2C16

ALL DIMENSIONS ARE IN INCHES

(MILLIMETERS IN PARENTHESES)

CAUTIONS:

- (1) SILVER PLATED BOLTS OR EQUIVALENT LUBRICATION MUST BE USED
- (2) USE CORRECT BOLT LENGTH