



# EXTENDED OCTAGON Multi-CF™ FITTING

## UHV VACUUM CHAMBER WITH 8, 4½ AND 1⅓ CF PORTS INTERNAL 7.100 DIAMETER SPHERICAL WORKSPACE

### APPLICATIONS:

- ▶ Cold physics research
- ▶ Bose-Einstein condensates
- ▶ High port-count UHV chamber
- ▶ Portable UHV Systems
- ▶ Complex experimental chamber
- ▶ General UHV Vacuum Plumbing

### FEATURES / OPTIONS:

- ▶ 7.100 diameter spherical workspace
- ▶ Easy access vacuum chamber
- ▶ Grabber Grooves on 8 CF and 2¾ CF sealing surfaces
- ▶ Two 8 CF sealing surfaces, eight 2¾ CF and optional sixteen 1⅓ CF sealing surfaces cut on a hollow sphere
- ▶ Unitary stainless steel 316L construction
- ▶ No welds, highly polished
- ▶ Precise port alignment of < 0.1 deg.

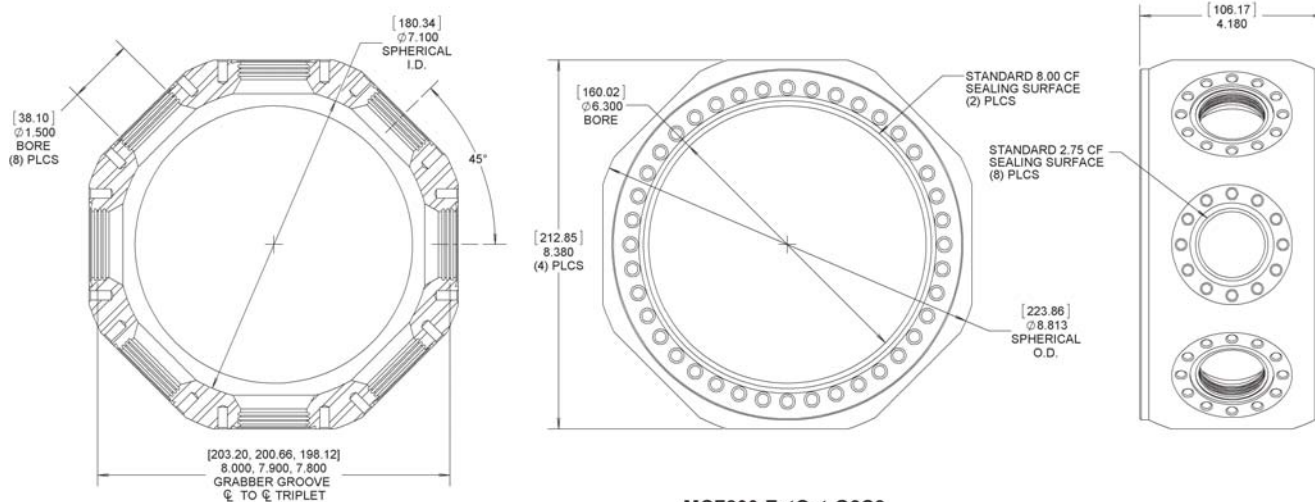


Extended Spherical Octagon MCF800-ExtOct-G2C8A16

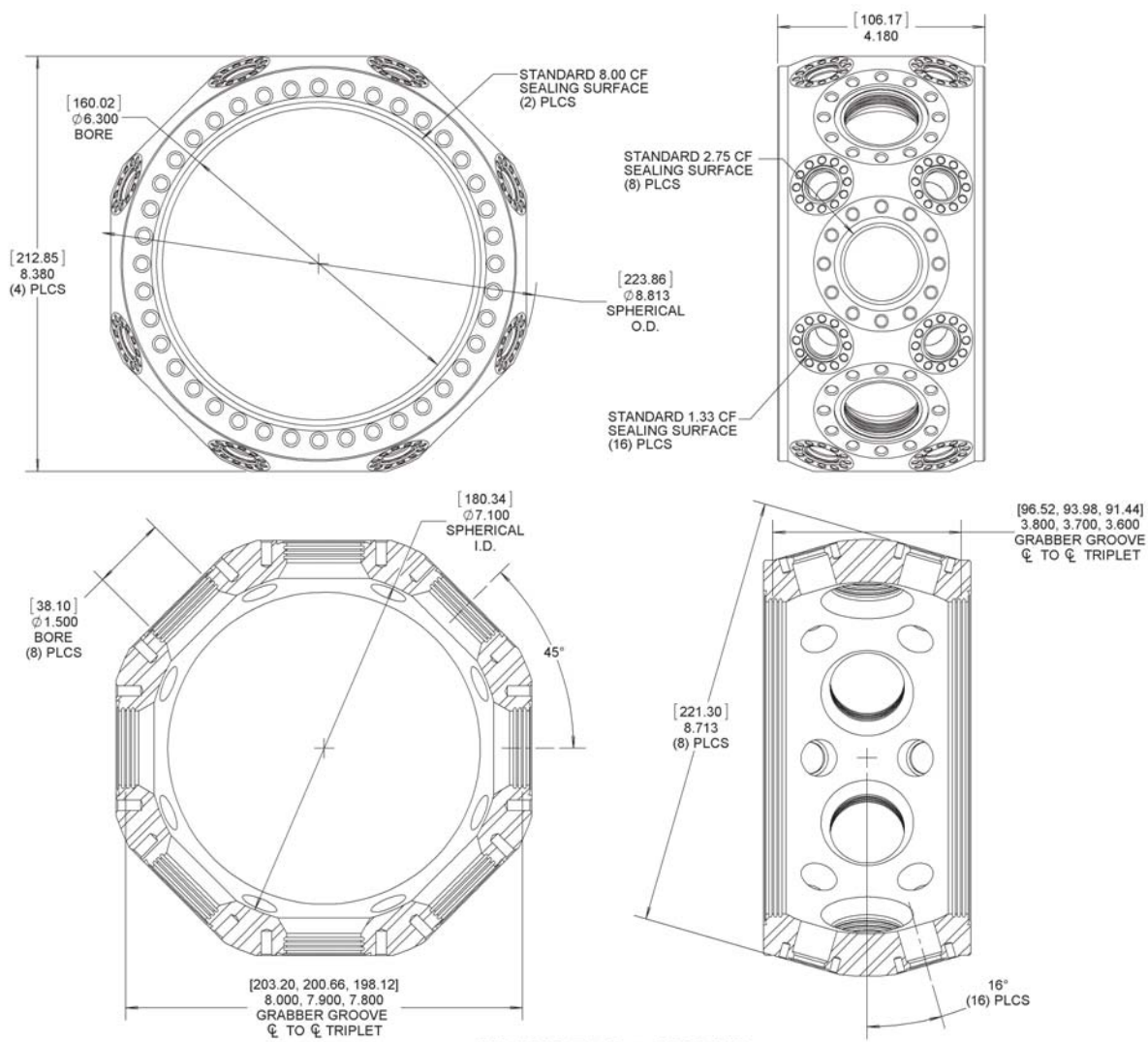
### THE EXTENDED SPHERICAL OCTAGON

The Extended Spherical Octagon is a ten or twenty-six port Multi-CF Fitting, consisting of a hollow sphere intersected by two 8 CF sealing surfaces, eight 2¾ CF sealing surfaces, and optionally sixteen 1⅓ CF sealing surfaces. Each 8 CF and 2¾ CF sealing surface has one triplet of Grabber Grooves.

	MCF800-ExtOct-G2C8	MCF800-ExtOct-G2C8A16
Multi-CF FITTING	Extended Octagon	
COMMON APPLICATION	UHV Chamber	
CONSTRUCTION / MATERIAL	Unitary Stainless Steel 316L	
1⅓ SEALING SURFACES	None	Sixteen with (12) 8-32 tapped bolt holes per sealing surface
2¾ SEALING SURFACES	Eight with (12) 1/4-28 tapped bolt holes, plus one triplet of Grabber Grooves per sealing surface	
8 CF SEALING SURFACES	Two with (40) 5/16-24 tapped bolt holes, plus one triplet of Grabber Grooves per sealing surface	
PUMPING VOLUME	160.9 in <sup>3</sup> (2,637 cc) 7.1 in. Spherical ID	166.6 in <sup>3</sup> (2,729 cc) 7.1 in. Spherical ID
WEIGHT	19.1 lbs. (8.7 kg)	17.0 lbs. (7.7 kg)



MCF800-ExtOct-G2C8



MCF800-ExtOct-G2C8A16

ALL DIMENSIONS ARE IN INCHES  
(MILLIMETERS IN PARENTHESES)

CAUTIONS:  
(1) SILVER PLATED BOLTS OR  
EQUIVALENT LUBRICATION  
MUST BE USED  
(2) USE CORRECT BOLT LENGTH

Specifications Subject to Change  
Without Notice.