



FLANGE CROSS

Multi-CF™ FITTING

ELECTRON GUNS

UNIQUE THIN CROSS MOUNTS ELECTRON OPTICS, GAUGES, COMPONENTS, INTO A 2³/₄ CF LINE

APPLICATIONS:

LENS MOUNT WITH GROOVE GRABBERS
GAUGE MOUNTING
GENERAL UHV PLUMBING
GAS FEED FOR ION SOURCE SYSTEMS

FEATURES / OPTIONS:

TWO 2³/₄ CF SEALING SURFACES AND
TWO 1¹/₂ CF SEALING SURFACES
GRABBER GROOVES ON EACH 2³/₄ CF SEALING SURFACE
FOUR EXTERNAL TAPPED HOLES FOR SYSTEM MOUNTING
UNITARY STAINLESS STEEL 316 CONSTRUCTION



ION GUNS

Flange Cross MCF275-FX202

THE FLANGE CROSS

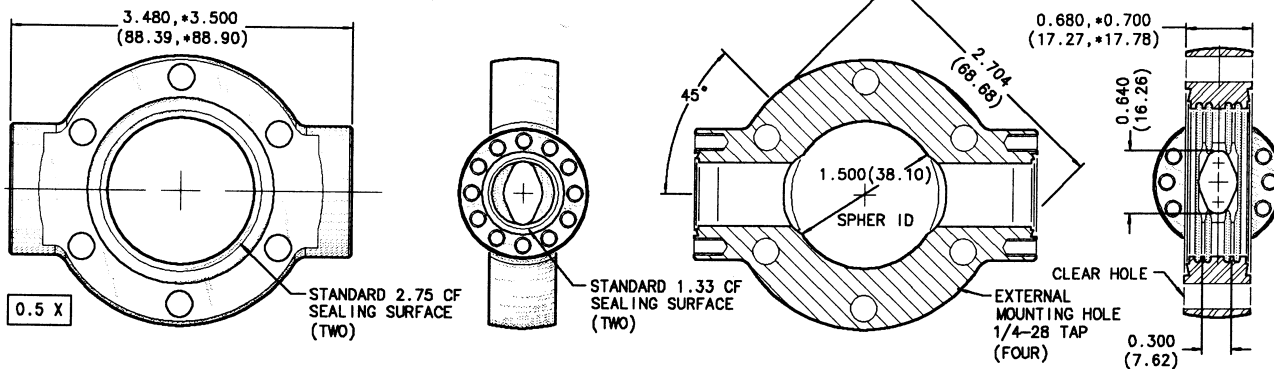
The Flange Cross is a four-port Multi-CF Fitting, consisting of two 1¹/₂ CF sealing surfaces and two 2³/₄ CF sealing surfaces. Within the 2³/₄ bore depth are two pairs of Grabber Grooves.

EMITTERS

MCF275-FX202	
Multi-CF FITTING	Flange Cross
COMMON APPLICATION	Miniature UHV Cross
CONSTRUCTION / MATERIAL	Unitary Stainless Steel 316
1 ¹ / ₂ CF SEALING SURFACES	Two with (12) 8-32 tapped bolt holes per sealing surface
2 ³ / ₄ CF SEALING SURFACES	Two with (6) 1/4-28 clear bolt holes, plus one pair of Grabber Grooves per sealing surface

DETECTORS

MCF275-FX202



COMPONENTS

ALL DIMENSIONS ARE IN INCHES
(MILLIMETERS IN PARENTHESES)

CAUTIONS:
(1) SILVER PLATED BOLTS OR EQUIVALENT LUBRICATION MUST BE USED
(2) USE CORRECT BOLT LENGTH

INDEX / INFORMATION



FLANGE CROSS

Multi-CF™ FITTING

ELECTRON GUNS

UNIQUE THIN CROSS MOUNTS ELECTRON OPTICS, GAUGES, COMPONENTS, INTO A 2³/₄ CF LINE

APPLICATIONS:

LENS MOUNT WITH GROOVE GRABBERS
GAUGE MOUNTING
GENERAL UHV PLUMBING
GAS FEED FOR ION SOURCE SYSTEMS

FEATURES / OPTIONS:

TWO 2³/₄ CF SEALING SURFACES AND
FOUR 1¹/₂ CF SEALING SURFACES
GRABBER GROOVES ON EACH 2³/₄ CF SEALING SURFACE
FOUR EXTERNAL TAPPED HOLES FOR SYSTEM MOUNTING
UNITARY STAINLESS STEEL 316 CONSTRUCTION



ION GUNS

Flange Cross MCF275-FX204

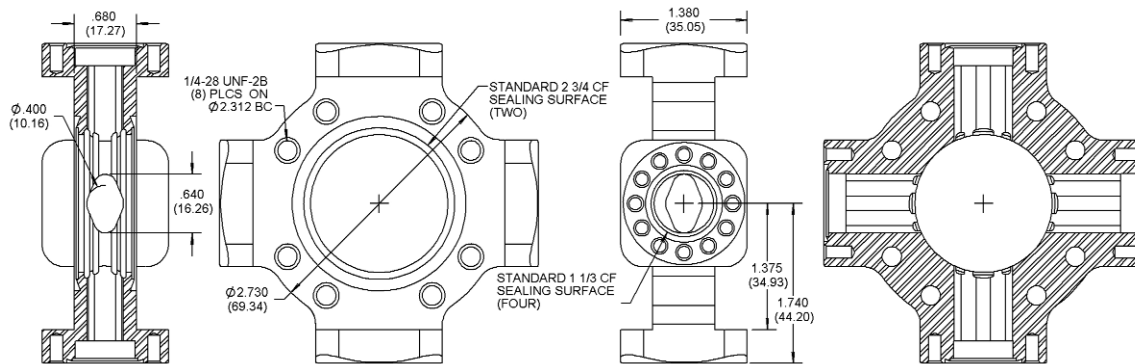
THE FLANGE CROSS

The Flange Cross is a six-port Multi-CF Fitting, consisting of four 1¹/₂ CF sealing surfaces and two 2³/₄ CF sealing surfaces. Within the 2³/₄ bore depth are two pairs of Grabber Grooves.

EMITTERS

MCF275-FX204	
Multi-CF FITTING	Flange Cross
COMMON APPLICATION	Miniature UHV Cross
CONSTRUCTION / MATERIAL	Unitary Stainless Steel 316
1 ¹ / ₂ CF SEALING SURFACES	Four with (12) 8-32 tapped bolt holes per sealing surface
2 ³ / ₄ CF SEALING SURFACES	Two with (6) 1/4-28 clear bolt holes, plus one pair of Grabber Grooves per sealing surface

MCF275-FX204



DETECTORS

COMPONENTS

ALL DIMENSIONS ARE IN INCHES
(MILLIMETERS IN PARENTHESES)

CAUTIONS:
(1) SILVER PLATED BOLTS OR
EQUIVALENT LUBRICATION
MUST BE USED
(2) USE CORRECT BOLT LENGTH

INDEX / INFORMATION