

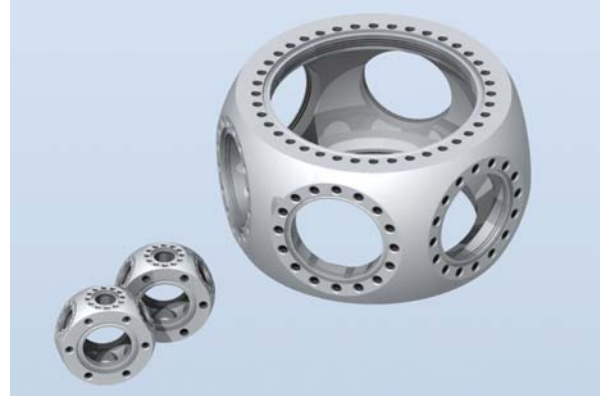
VACUUM CHAMBERS With 8, 4½, 2¾, and 1⅓ CF Ports Internal 8.000 or 1.900 Spherical Diameter Workspace

APPLICATIONS:

- ▶ Compact UHV Vacuum chamber
- ▶ Portable Low-Cost UHV Systems
- ▶ High-Complexity UHV SubSystems
- ▶ UHV Vacuum Manipulator Systems
- ▶ UHV Specimen Transfer Systems
- ▶ General UHV Vacuum Plumbing

FEATURES / OPTIONS:

- ▶ Compact easy access UHV chambers
- ▶ Improved UHV performance: no welds, no inside corners, greater port ID's, mirror finish
- ▶ 1.900" or 8.000" diameter spherical workspace
- ▶ Convenient Groove Grabber™ internal mounting system on all surfaces (except 1⅓ CF)
- ▶ Two 2¾ CF and six 1⅓ CF sealing surfaces, or two 8 CF and 6 4½ CF sealing surfaces cut on a hollow sphere
- ▶ Unitary stainless steel 316L construction
- ▶ Double-density bolt holes (except 2¾ CF)
- ▶ Precise port alignment of < 0.1 degree

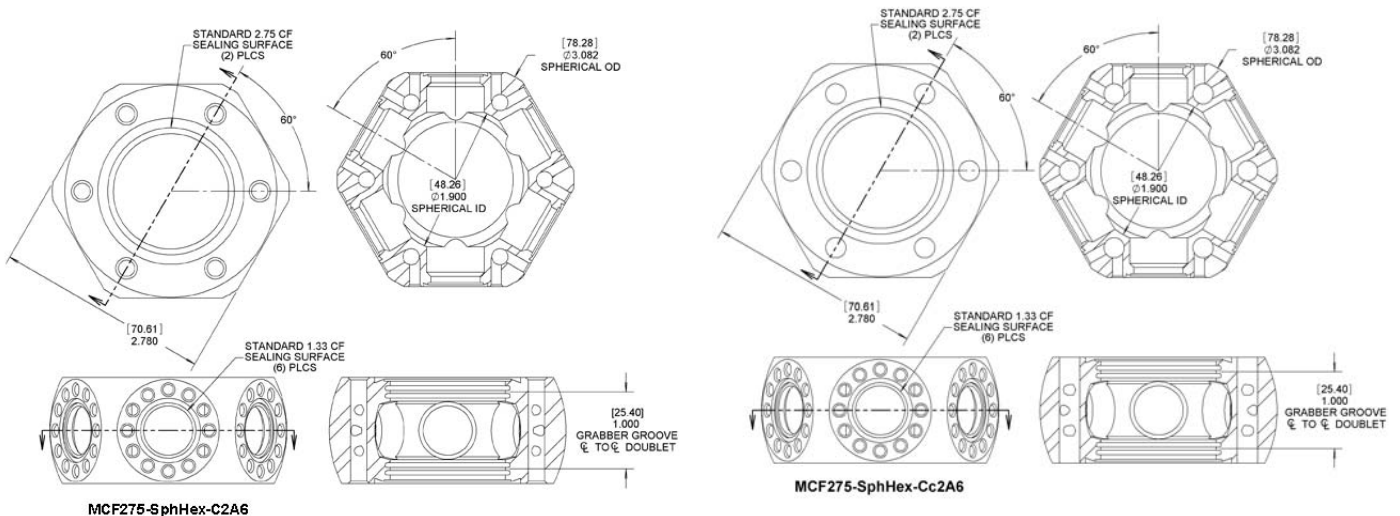


2¾ and 8 CF Spherical Hexagons

THE 2¾ Multi-CF SPHERICAL HEXAGON

The MCF275-SphHex-C2A6 Spherical Hexagon is an eight-port Multi-CF™ miniature UHV vacuum chamber, consisting of a hollow sphere intersected by two 2¾ CF sealing surfaces and six 1⅓ CF sealing surfaces. Each 2¾ CF sealing surface has one pair of Grabber Grooves.

MCF275-SphHex-C2A6		MCF275-SphHex-Cc2A6	
Multi-CF FITTING	Spherical Hexagon		
COMMON APPLICATION	Miniature UHV Chamber		
CONSTRUCTION / MATERIAL	Unitary Stainless Steel 316L		
1⅓ CF SEALING SURFACES	Six with (12) 8-32 tapped bolt holes per sealing surface		
2¾ CF SEALING SURFACES	Two with one pair of Grabber Grooves per sealing surface, plus one set of (6) tapped 1/4-28 bolt holes	Two with one pair of Grabber Grooves per sealing surface, plus one set of (6) clearance holes for 1/4-28 bolts	
INTERNAL WORK SPACE	1.900 inch Spherical ID (4.5 in³)		



ALL DIMENSIONS ARE IN INCHES (MILLIMETERS IN PARENTHESES)

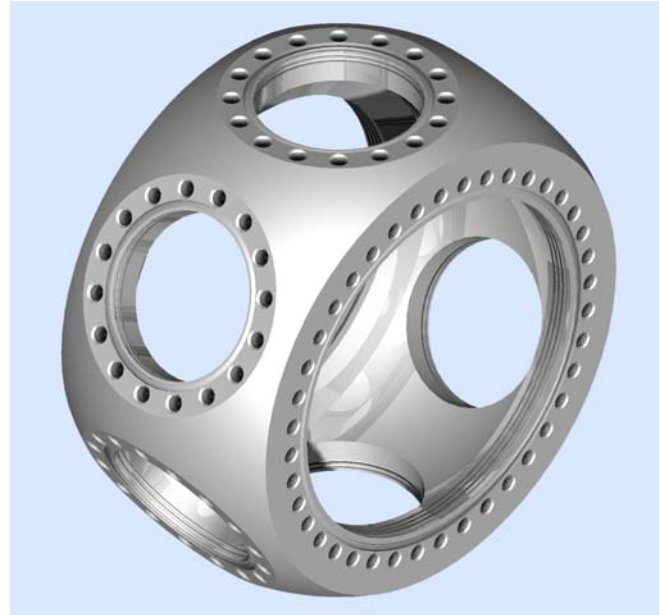
CAUTIONS:
(1) SILVER PLATED BOLTS OR EQUIVALENT LUBRICATION MUST BE USED
(2) USE CORRECT BOLT LENGTH

8 Multi-CF Spherical Hexagon MCF800-SphHex-G2E6

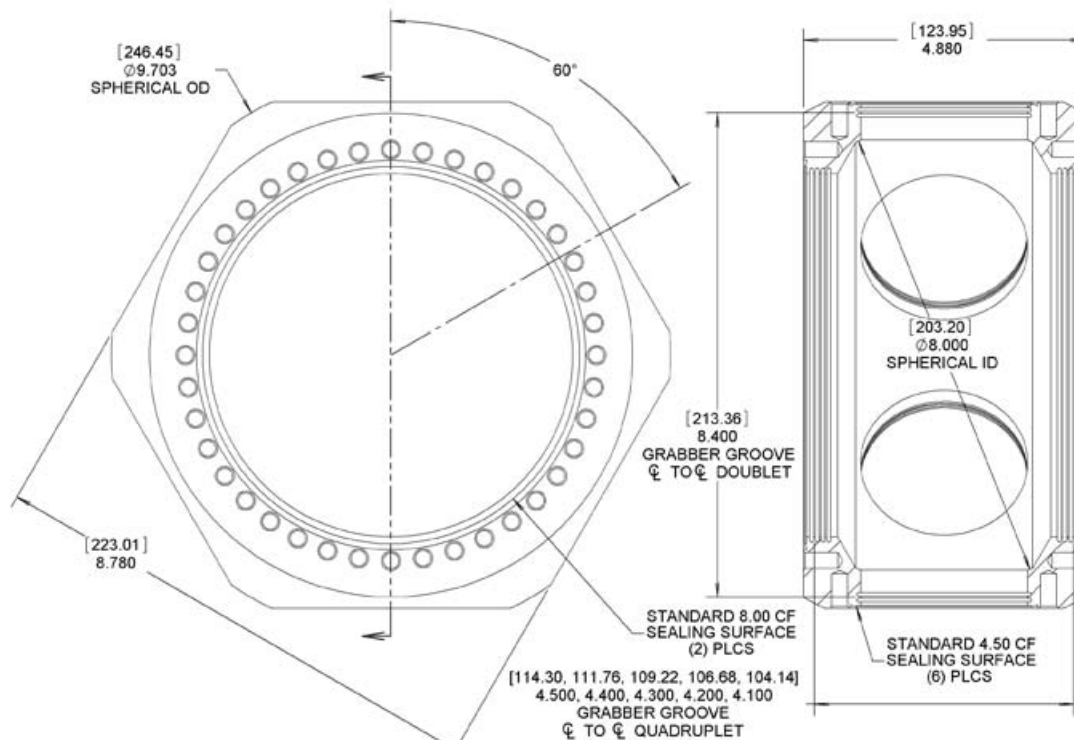
THE 8 Multi-CF SPHERICAL HEXAGON

The MCF800-SphHex-G2E6 Spherical Hexagon is an eight port Multi-CF™ UHV vacuum chamber consisting of a hollow sphere intersected by two 8 CF sealing surfaces and six 4½ CF sealing surfaces. Each 8 CF sealing surface has one quadruplet of Grabber Grooves, and each 4½ CF has one pair of Grabber Grooves.

MCF800-SphHex-G2E6	
Multi-CF FITTING	Spherical Hexagon
COMMON APPLICATION	UHV Vacuum Chamber
CONSTRUCTION / MATERIAL	Unitary Stainless Steel 316L
4½ CF SEALING SURFACES	Six with (16) 5/16-24 tapped bolt holes, plus one pair of Grabber Grooves per sealing surface
8 CF SEALING SURFACES	Two with (40) 5/16-24 tapped bolt holes, plus one quadruplet of Grabber Grooves per sealing surface
INTERNAL WORK SPACE	8.000 inch Spherical I.D. (229.7 in ³)



Spherical Hexagon MCF800-SphHex-G2E6



MCF800-SphHex-G2E6

ALL DIMENSIONS ARE IN INCHES
(MILLIMETERS IN PARENTHESES)

CAUTIONS:
(1) SILVER PLATED BOLTS OR EQUIVALENT LUBRICATION MUST BE USED
(2) USE CORRECT BOLT LENGTH