



# WELDABLE CLUSTER

## Multi-CF™ FITTING

### UHV VACUUM ADAPTOR WITH 4½ AND 2¾ CF PORTS 6 INCH WELDABLE PORT ON ONE SIDE

**APPLICATIONS:**

ELECTRON GUN / ION SOURCE HOUSING  
 DETECTOR SUBSYSTEMS  
 HIGH-COMPLEXITY UHV CHAMBERS  
 FEEDTHROUGH CLUSTERS

**FEATURES / OPTIONS:**

LARGE INSTRUMENT HOUSING WITH UNUSUAL VERSATILITY  
 EXCEPTIONAL INTERIOR VOLUME AND ACCESS  
 ONE 6 INCH WELDABLE PORT AND ONE 4½ CF AXIAL PORT  
 EITHER TWO OR FOUR SIDE 2¾ CF PORTS  
 4½ CFF AND 2¾ CFF EQUIPPED WITH GRABBER GROOVES  
 AND DOUBLE BOLT HOLES  
 UNITARY STAINLESS 316L CONSTRUCTION



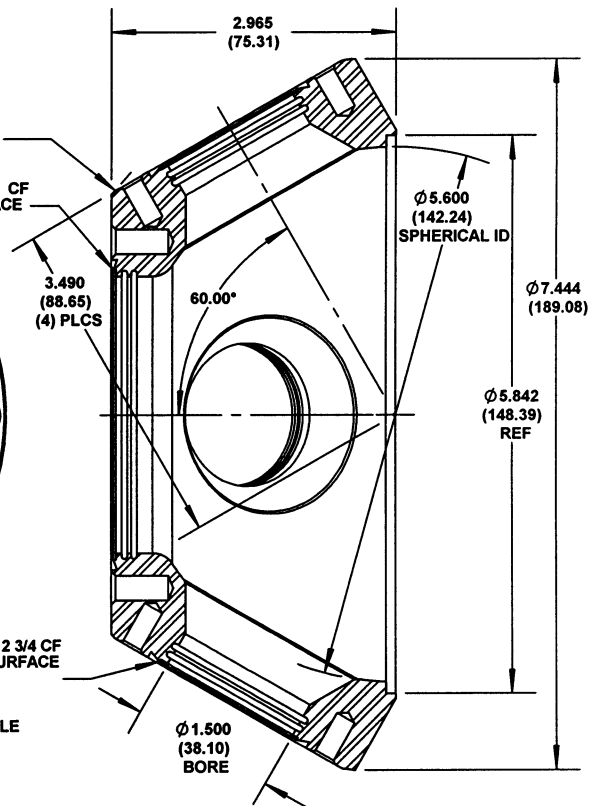
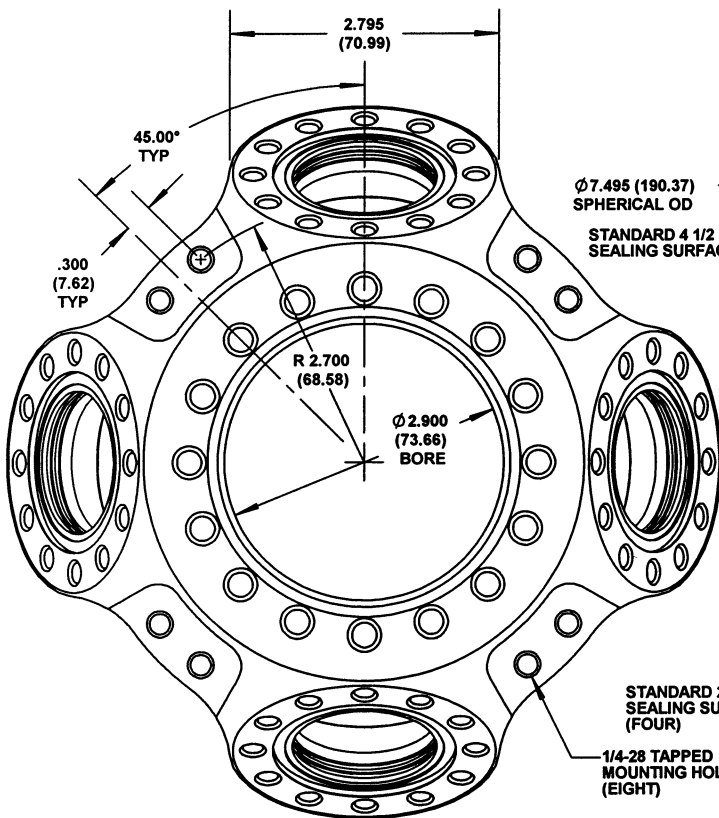
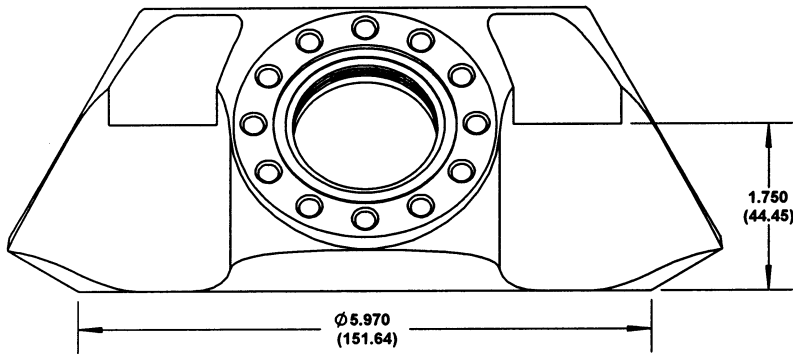
**MCF450-WdCI10200-A and  
 MCF450-WdCI10400-A  
 WELDABLE CLUSTER /  
 INSTRUMENT HOUSINGS**

The Multi-CF Weldable Cluster is designed mainly as an Ultra-High-Vacuum instrument housing, though it may be used in numerous ways. It has unusual versatility and access. Both models have a weldable port on the main axis which welds to a 6 inch O.D. tube or a 6 CF flange (with preparation.) There is a standard 4½ CF port also on the main axis. The MCF450-WdCI10200 model has two side auxiliary 2½ CF ports, and the MCF450-WdCI10400 has four side auxiliary 2½ CF ports. Grabber grooves are available for mounting interior apparatus at all the 4½ CF and 2½ CF ports. Additional versions of this part with additional features are being designed. The MCF450-WdCI10400 is a component in the Kimball Physics EGH-8102 High Energy Electron Gun.

*Weldable Cluster MCF450-WdCI10400*

	MCF450-WdCI10400	MCF450-WdCI10200
Multi-CF FITTING	Weldable Cluster	
COMMON APPLICATION	Instrument Housing, Multi-Port Flange	
CONSTRUCTION / MATERIAL	Unitary Stainless Steel 316L with one weld	
2¾ CF SEALING SURFACES	Four off axis with (12) 1/4-28 tapped bolt holes and one pair of Grabber Grooves per sealing surface	Two off axis with (12) 1/4-28 tapped bolt holes and one pair of Grabber Grooves per sealing surface
4½ CF SEALING SURFACE	One on axis with (16) 5/16-24 tapped bolt holes and one pair of Grabber Grooves per sealing surface	One on axis with (16) 5/16-24 tapped bolt holes and one pair of Grabber Grooves per sealing surface
WELDABLE PORT	One on axis, welds to a 6 inch O.D. tube or a 6 CF flange (with preparation)	One on axis, welds to a 6 inch O.D. tube or a 6 CF flange (with preparation)
EXTERNAL MOUNTING	Eight 1/4-28 tapped bolt holes	Ten 1/4-28 tapped bolt holes
LENGTH, GASKET PLANE TO WELD SURFACE	2.965 inch	

Multi-CF Weldable Cluster  
MCF450-WdCI10400



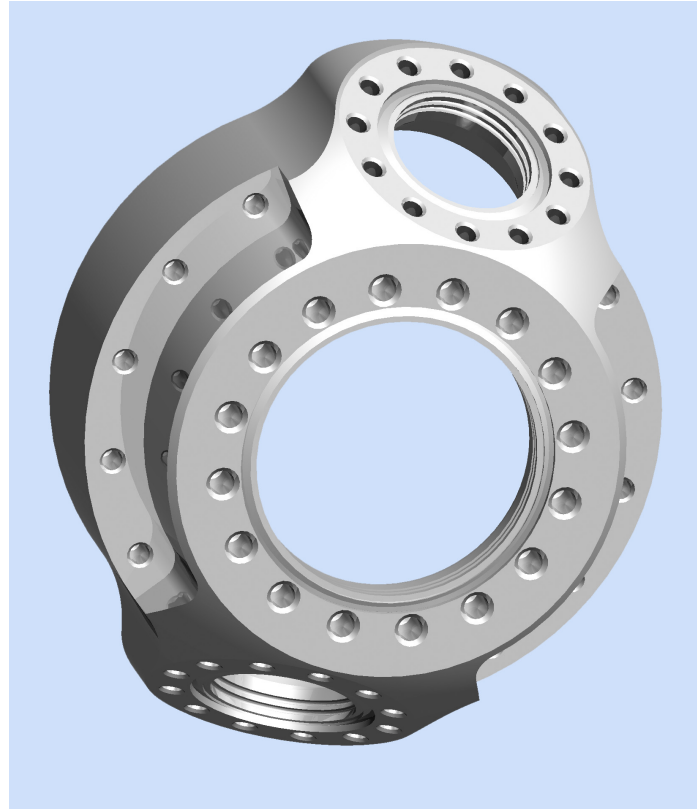
MCF450-WdCI10400

0.5 X

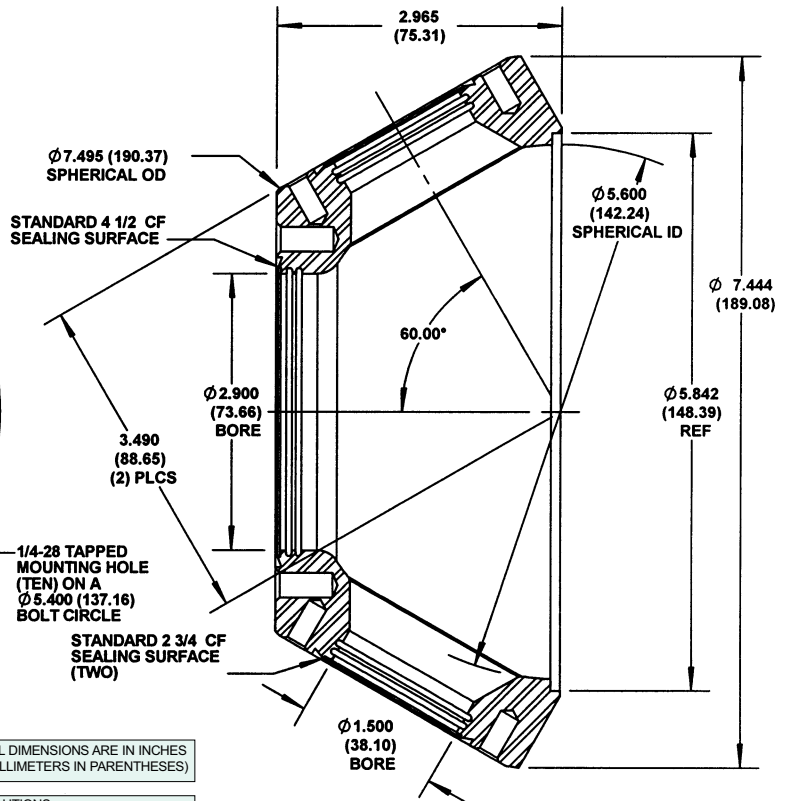
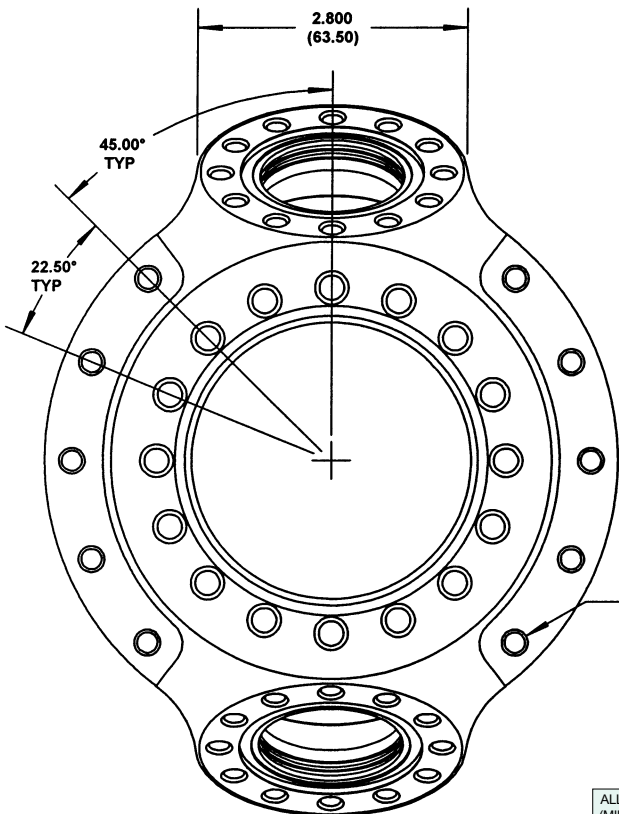
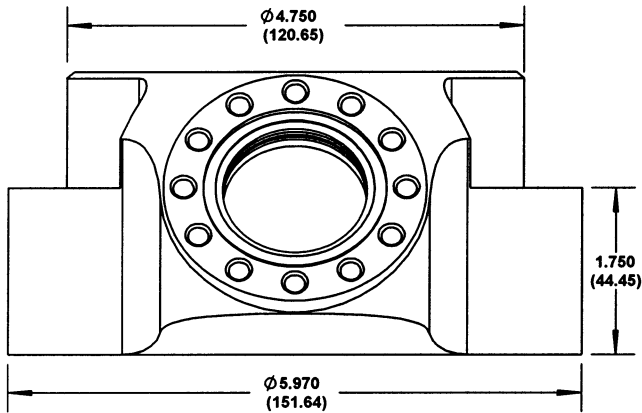
ALL DIMENSIONS ARE IN INCHES (MILLIMETERS IN PARENTHESES)

CAUTIONS:  
 (1) SILVER PLATED BOLTS OR EQUIVALENT LUBRICATION MUST BE USED  
 (2) USE CORRECT BOLT LENGTH

## Multi-CF Weldable Cluster MCF450-WdCI10200



Weldable Cluster MCF450-WdCI10200



ALL DIMENSIONS ARE IN INCHES  
(MILLIMETERS IN PARENTHESES)

CAUTIONS:  
(1) SILVER PLATED BOLTS OR  
EQUIVALENT LUBRICATION  
MUST BE USED  
(2) USE CORRECT BOLT LENGTH

MCF450-WdCI10200 **0.5 X**